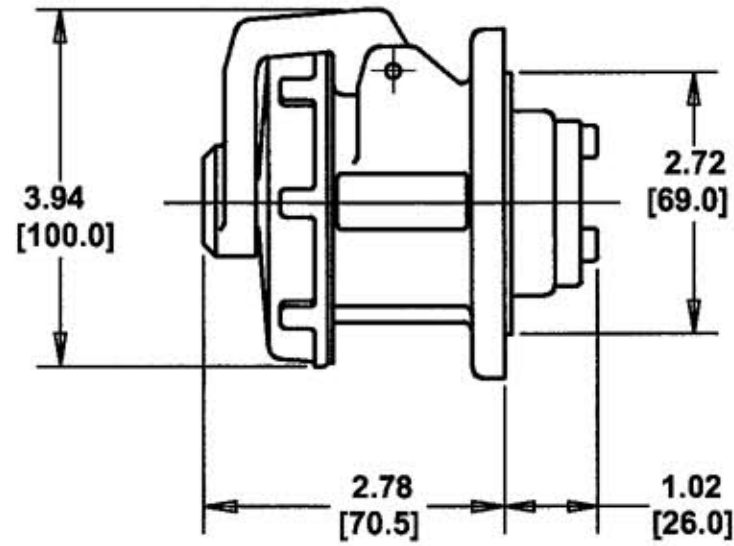
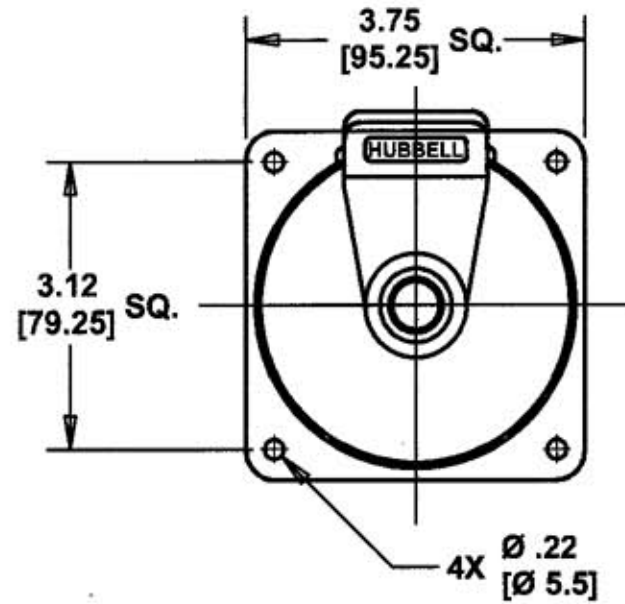


M-6085 5



LIST OF PARTS

DESCRIPTION	MATERIAL	FINISH
HOUSING	SEE TABLE	
INTERIOR	THERMOSET	
SLEEVES	BRASS*	
SLEEVE SPRINGS	ST. STEEL	
TERMINAL SCREWS	ST. STEEL	
COVER	POLYESTER	
COVER SCREW	BRASS	NICKEL
COVER SPRING	ST. STEEL	
GASKET	NEOPRENE	
DISC	POLYCARBONATE	
ARM	POLYESTER	
HINGE PIN	ST. STEEL	
HINGE SPRING	ST. STEEL	
ASSEMBLY SCREWS	ST. STEEL	

*CONTACTS NICKEL PLATED BRASS

DIMENSION SHEET FOR CAT. NO. SEE TABLE

REPAIRABLE NON-REPAIRABLE

CAT. NO.	CONFIGURATION	RATING	COMMENTS	HOUSING		CAT. NO.	CONFIGURATION	RATING	COMMENTS	HOUSING	
				MATERIAL	COLOR					MATERIAL	COLOR
HBL516R1W*		16 A		NYLON	BLUE	HBL520R7W		20 A 3ØY 277/480 VAC		NYLON	RED
						HBL520R9W		20 A 3ØY 120/208 VAC		NYLON	BLUE
HBL520R5W		20 A 3ØY 347/600 VAC		NYLON	BLACK						
HBL516R6W		16A 220/380VAC 240/415 VAC		NYLON	RED						

5 REDRAWN ON CAD WITH CHANGES. ADDED "HOUSING" & "COMMENTS" COLUMNS TO TABLE AND NOTES 1 & 2. IN TABLE, ADDED "" AND "16A" TO HBL516R1W, "240/415VAC TO HBL516R6W AND "A" WAS "AMP". IN LIST OF PARTS, "SEE TABLE" WAS "NYLON" AND "NEOPRENE" WAS "RUBBER"; ADDED ""CONTACTS NICKEL PLATED BRASS". .22 DIM. WAS 7/32, "Ø" WAS "DIA." AND "[ØX.X]" WAS "MM". 3.12/[79.25] SQ. WAS 3.125/79.37MM SQ. SUPERSEDES DRAWING DATED 5/1/80 PER DCN #12944. JMN

DJP 6/27/06

SYM REVISIONS APP DATE

THE DESIGN AND DIMENSIONS OF THE PRODUCT SHOWN ON THIS DRAWING ARE SUBJECT TO CHANGE WITHOUT NOTICE

TITLE
16A & 20A 4 POLE 5 WIRE
PIN AND SLEEVE RECEPTACLES

TOLERANCES UNLESS OTHERWISE SPECIFIED		WIRING DEVICE—KELLEMS HUBBELL INCORPORATED BRIDGEPORT, CT	
FRACTIONS	± 1/64	DR. BY	WTC
DECIMALS	± .005	TR. BY	JMN
ANGLES	± 2°	APP. BY	DJP
		SCALE	NONE
		CHK'D BY	DJP
		DATE	6/27/06

NOTES (UNLESS OTHERWISE SPECIFIED)
1) TOLERANCES ARE:
DECIMALS ± .03
ANGLES ± 2°
2) DIMENSIONS ARE: INCHES
[MILLIMETERS]